

FIG 40 - WIRING LAYOUT DIAGRAM (PLAN VIEW)

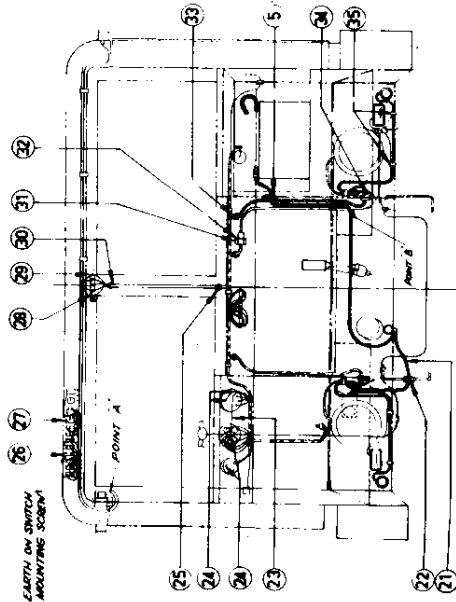


FIG 41 - WIRING LAYOUT DIAGRAM (CAB FRONT VIEW)

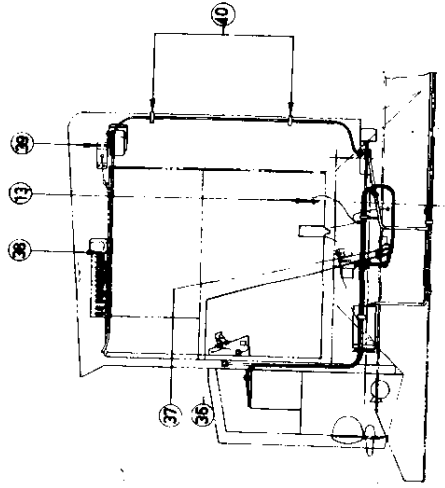


FIG 42 - WIRING LAYOUT DIAGRAM (CAB SIDE VIEW)

LEGEND TO FIGS 40, 41 AND 42

1. CABLE ASSY., GROUND
2. WASHER, LOCK
3. WASHER, LOCK
4. SCREW
5. GROMMET
6. CLIP, CABLE
7. CANNON PLUG AND HARNESS, ASSY
8. CLIP
9. LAMP
10. LIGHT, ASSY., - FRONT WIDTH
11. SEAL - WIDTH LIGHT
12. CLIP
13. NUT
14. CABLE, ASSY., - FUEL TANK GROUND
15. HARNESS, REAR END
16. CLIP, CLOSED
17. CONNECTOR, DOUBLE
18. CLIP
19. GROMMET
20. CABLE, ASSY., CONNECTOR TO LEFT HAND TANK
21. CABLE, ASSY., STARTER TO SLAVE SOCKET
22. GROMMET
23. GROMMET
24. CABLE, ASSY., WITH SOCKET
25. GROMMET
26. CABLE, ASSY., - WIPER SWITCH EARTH
27. CABLE, ASSY., - BLACKOUT SWITCH TO HEADLIGHT SWITCH
28. BLOCK, JUNCTION
29. SCREW
30. GROMMET
31. BOLT
32. BRACKET, CANNON RECEPTACLE MOUNTING
33. GROMMET
34. GROMMET
35. CLIP
36. BUS BAR, STARTER MOTOR
37. BOLT
38. CABLE, ASSY., - CIRCUIT BREAKER TO BUZZER
39. SCREW
40. SCREW
41. SOCKET, BATTERY SLAVE

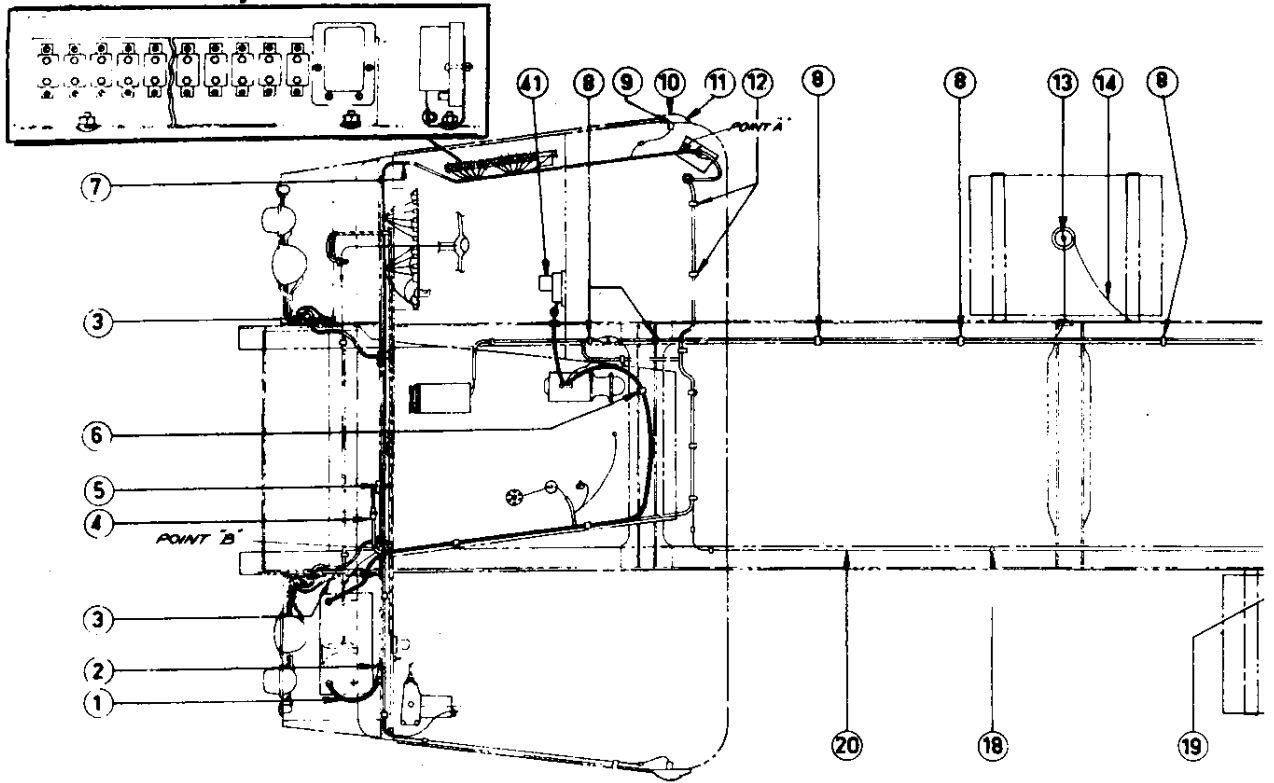


FIG 40 - WIRING LAYOUT DIAGRAM (PLAN VIEW)

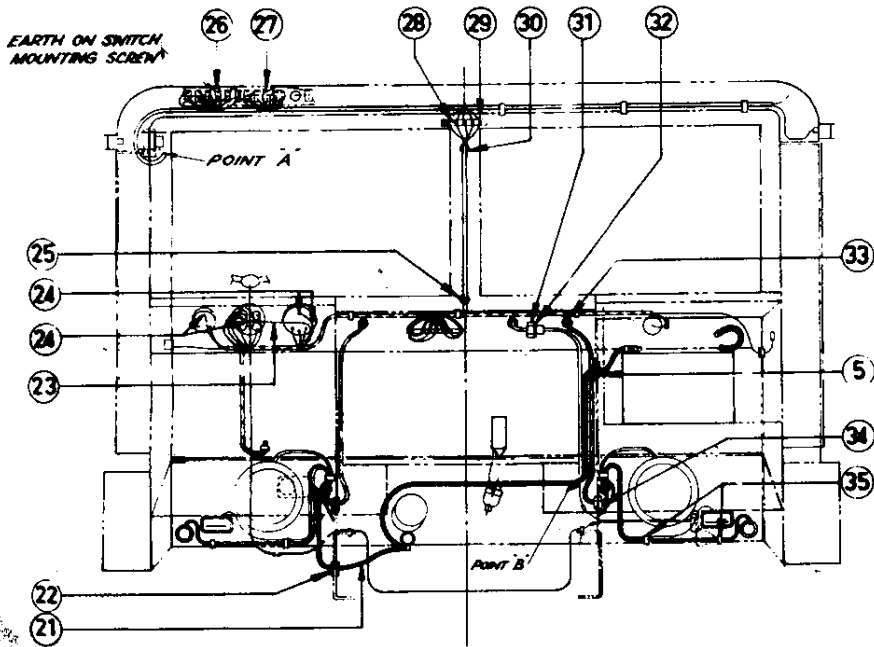


FIG 41 - WIRING LAYOUT DIAGRAM (CAB FRONT VIEW)

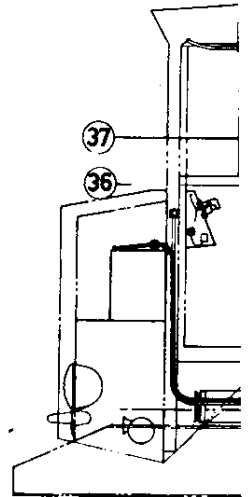
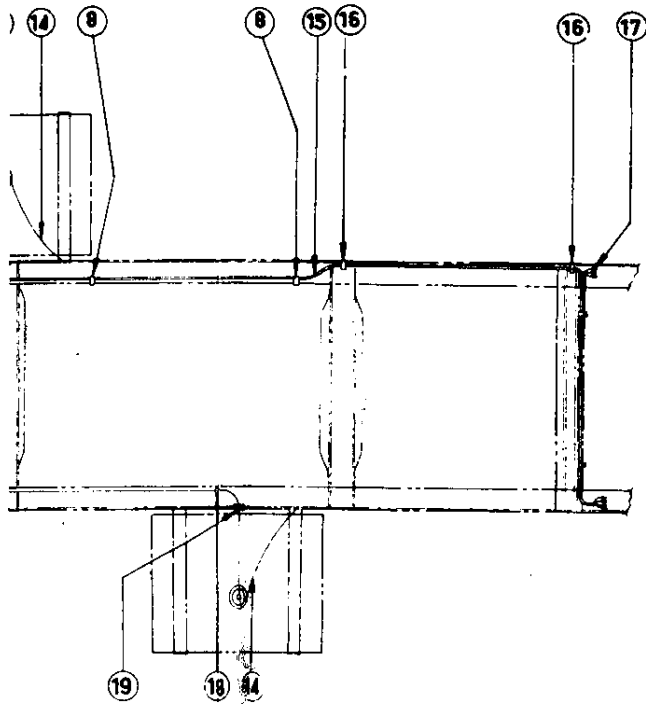
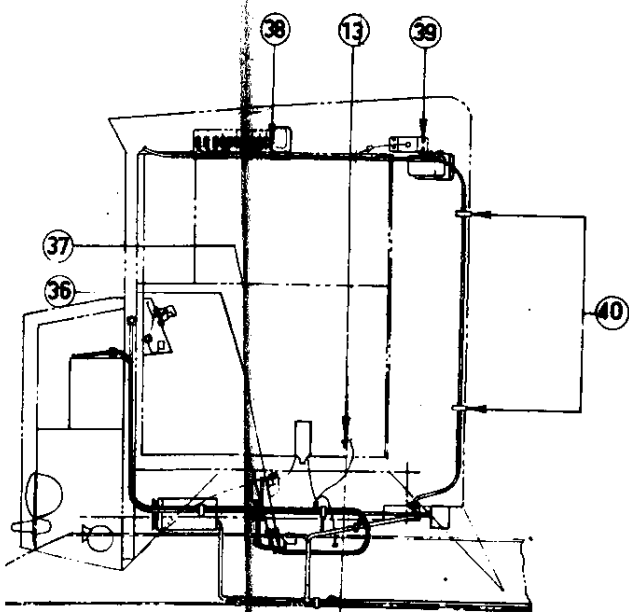


FIG 42 - WIRING LAYOUT DIAGRAM (CAB SIDE VIEW)



PLAN VIEW)



2 - WIRING LAYOUT DIAGRAM (CAB SIDE VIEW)

E N D

LEGEND TO FIGS 40, 41 AND 42

1. CABLE ASSY., GROUND
2. WASHER, LOCK
3. WASHER, LOCK
4. SCREW
5. GROMMET
6. CLIP, CABLE
7. CANNON PLUG AND HARNESS, ASSY
8. CLIP
9. LAMP
10. LIGHT, ASSY. - FRONT WIDTH
11. SEAL - WIDTH LIGHT
12. CLIP
13. NUT
14. CABLE, ASSY. - FUEL TANK GROUND
15. HARNESS, REAR END
16. CLIP, CLOSED
17. CONNECTOR, DOUBLE
18. CLIP
19. GROMMET
20. CABLE, ASSY. CONNECTOR TO LEFT HAND TANK
21. CABLE, ASSY. STARTER TO SLAVE SOCKET
22. GROMMET
23. CABLE, ASSY, WITH SOCKET
24. LAMP
25. GROMMET
26. CABLE, ASSY. - WIPER SWITCH EARTH
27. CABLE, ASSY. - BLACKOUT SWITCH TO HEADLIGHT SWITCH
28. BLOCK, JUNCTION
29. SCREW
30. GROMMET
31. BOLT
32. BRACKET, CANNON RECEPTACLE MOUNTING
33. GROMMET
34. GROMMET
35. CLIP
36. BUS BAR, STARTER MOTOR
37. BOLT
38. CABLE, ASSY. - CIRCUIT BREAKER TO BUZZER
39. SCREW
40. SCREW
41. SOCKET, BATTERY SLAVE